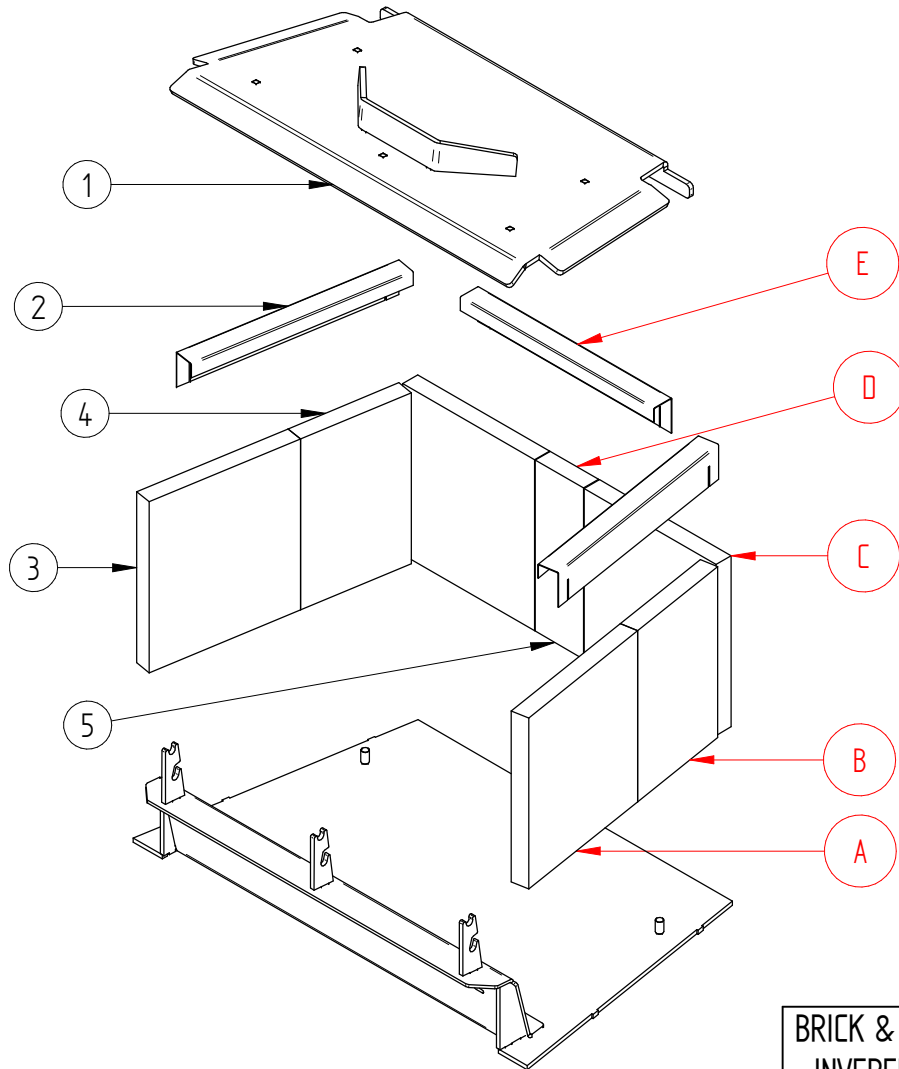
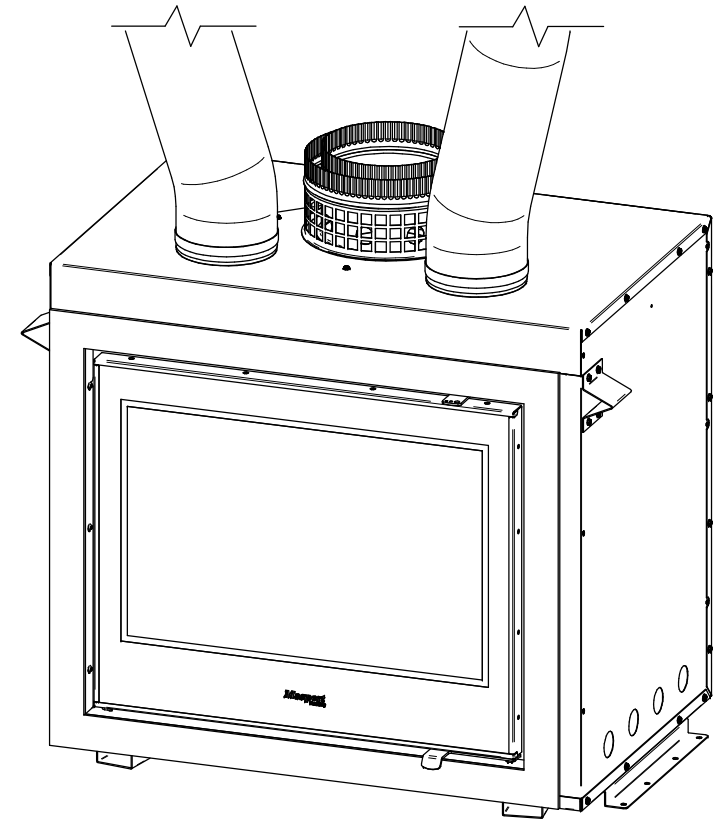


**INVERELLE / I7000 BRICK INSTALLATION SEQUENCE –**

- (A) INSTALL ONE BRICK EACH SIDE BY PLACING BETWEEN THE 2 X BOLT HEADS ON THE FIREBOX FLOOR. SLIDE THE FRONT SIDE BRICK FORWARD TO THE FRONT OF THE FIREBOX.
- (B) NEXT FIT IN POSITION THE TWO REAR-SIDE BRICKS BETWEEN THE FRONT BRICK AND THE REAR WALL OF THE FIREBOX FLOOR.
- (C) THEN FIT THE REAR WALL SIDE BRICKS ON EITHER SIDE.
- (D) THEN FIT LAST MIDDLE REAR BRICK.
- (E) THEN FIT BRICK CHANNEL X 3 ONTO BRICKS.



**BRICK & BAFFLE LAYOUT FOR  
INVERELLE / I7000 MODEL**



**INVERELLE / I7000 MODEL**

BRICK / BAFFLE PART ID			
ITEM	PART ID	DESCRIPTION	QUANTITY
1	982005	BAFFLE ASSY	1
2	987146	BRICK CHANNEL	3
3	587112	BRICK-FIRE BACK	4
4	587145	BRICK-FIRE,SIDE	2
5	582164	BRICK 25*80*245	1